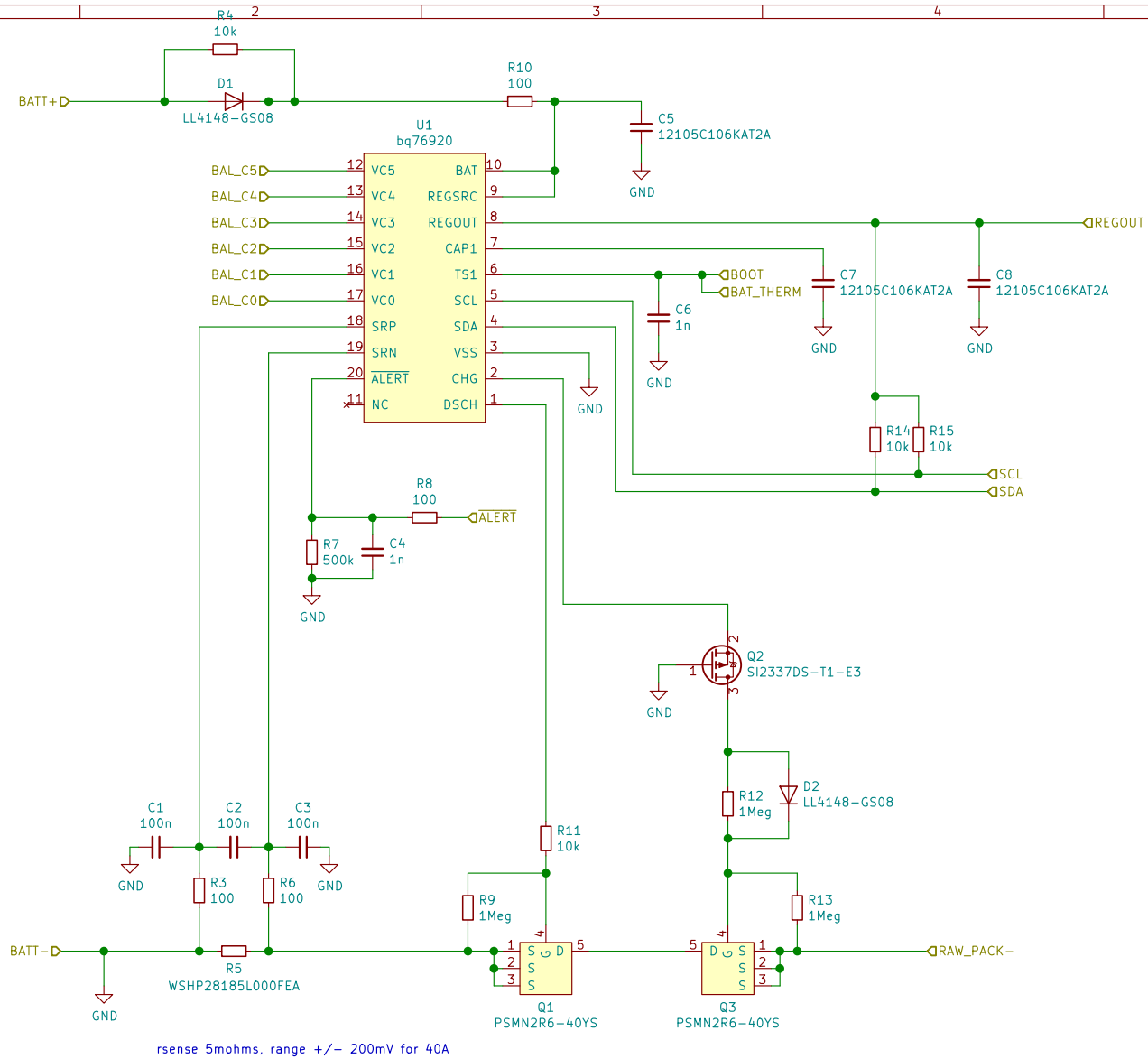


Sheet: /		
File: bq76920.sch		
Title:		
Size: A4	Date:	Rev:
KiCad E.D.A. kicad 5.1.3-ffb9f2284ubuntu18.04.1		Id: 1/5



Sheet: /bq76920 section/
 File: AFE.sch

Title:

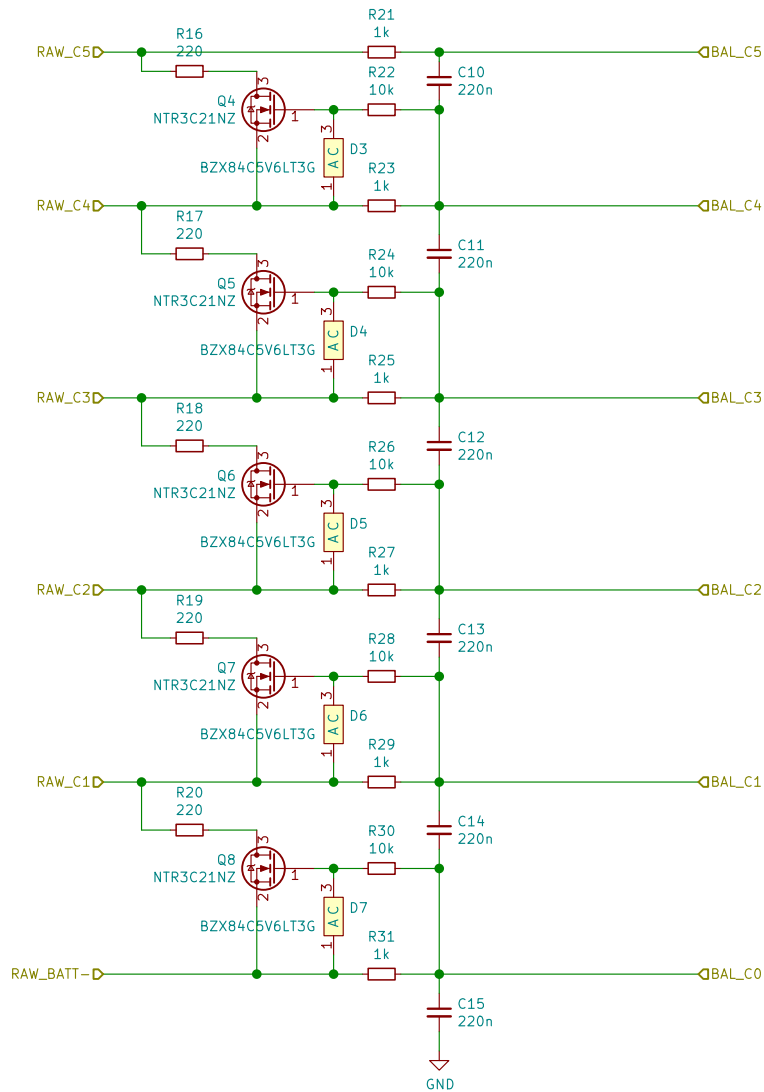
Size: A4

Date:

KiCad E.D.A. kicad 5.1.3-ffb9f2284ubuntu18.04.1

Rev:

Id: 2/5

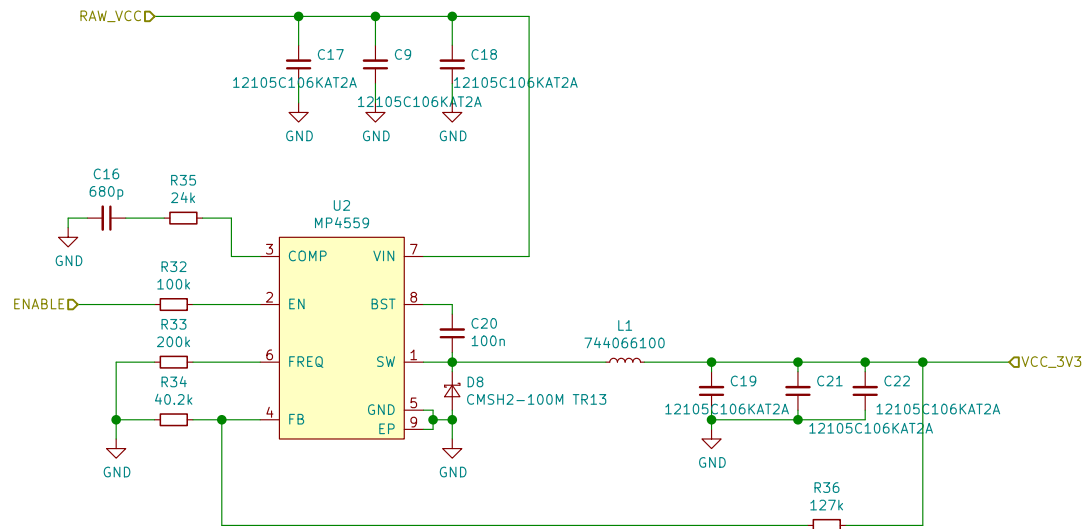


ballance current max: 19mA for 4.2V
 ballance current min: 13.6mA for 3.0V
 dissipated power max: $4.2V \cdot 0.019A = 0.080W \Rightarrow 1206$ balance rezistors

Sheet: /balance section/ File: balance.sch	
Title: cell balance section	
Size: A4	Date:
KiCad E.D.A. kicad 5.1.3-ffbf9f2284ubuntu18.04.1	
Rev: 3/5	



Sheet: /output protection/ File: output_protection.sch		
Title:		
Size: A4	Date:	Rev:
KiCad E.D.A. kicad 5.1.3-ffb9f2284ubuntu18.04.1		Id: 4/5



Sheet: /cpu power/
File: cpu_power.sch

Title:

Size: A4

Date:

KiCad E.D.A. kicad 5.1.3-ffb9f2284ubuntu18.04.1

Rev:

Id: 5/5